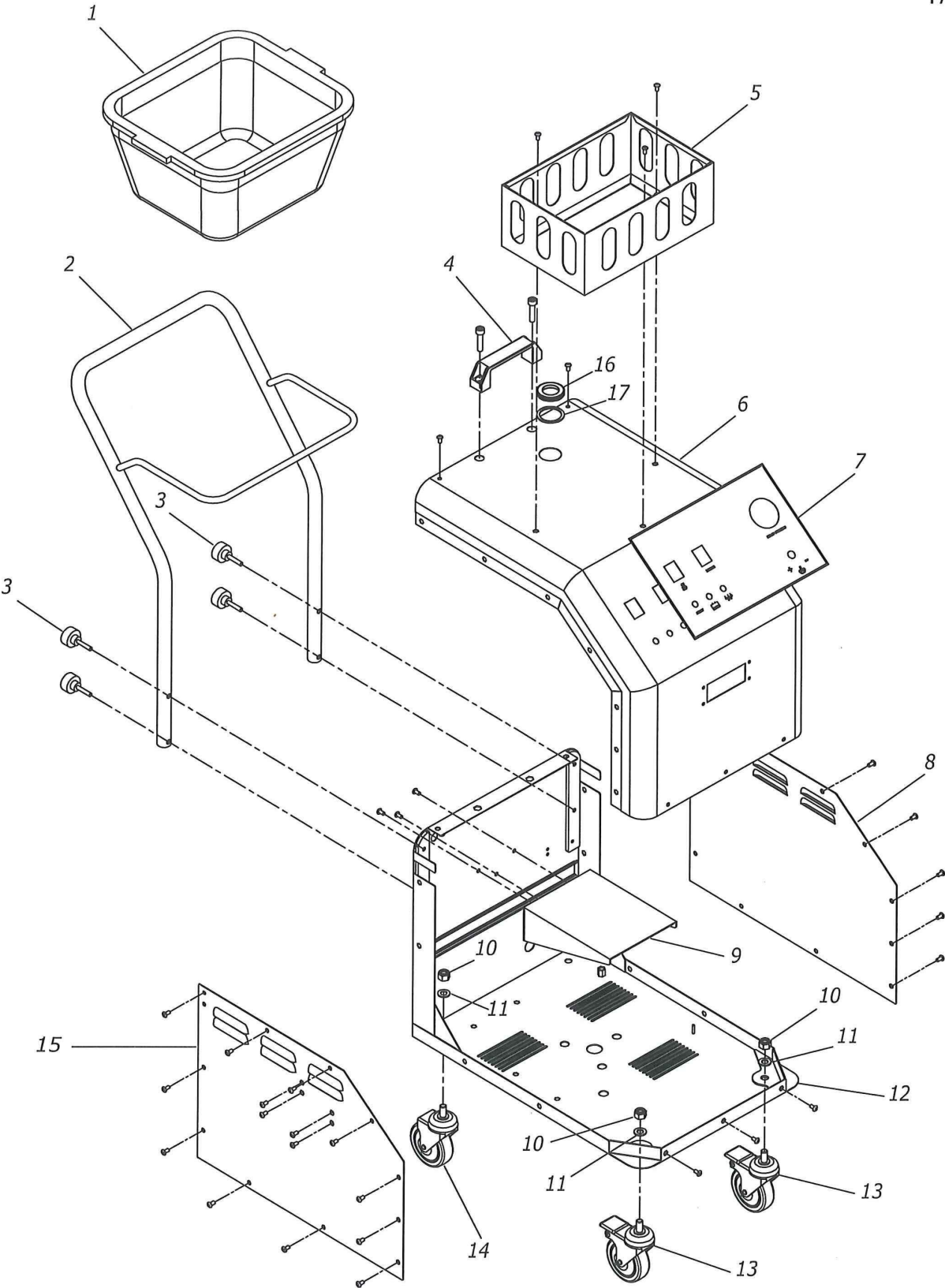
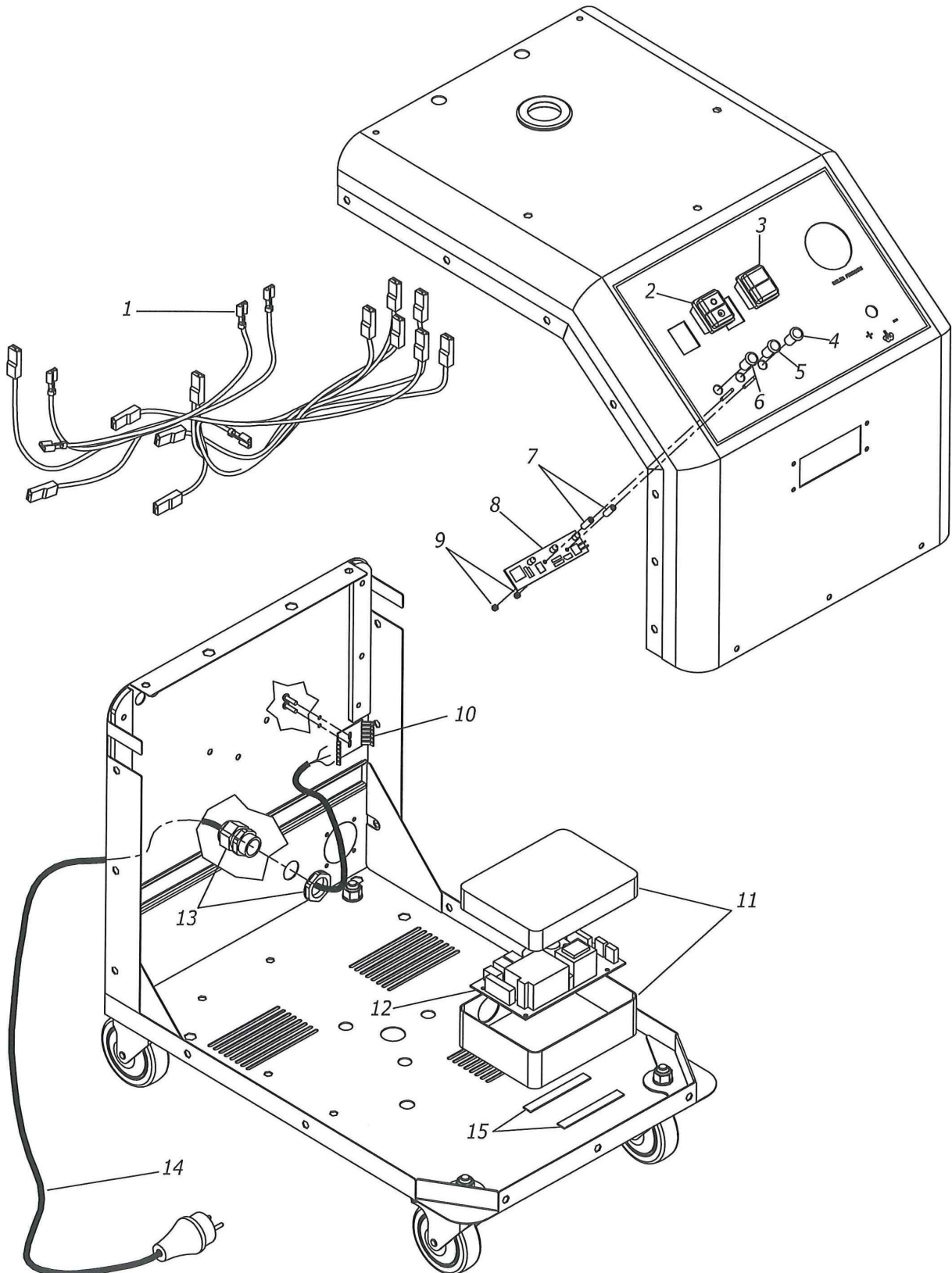
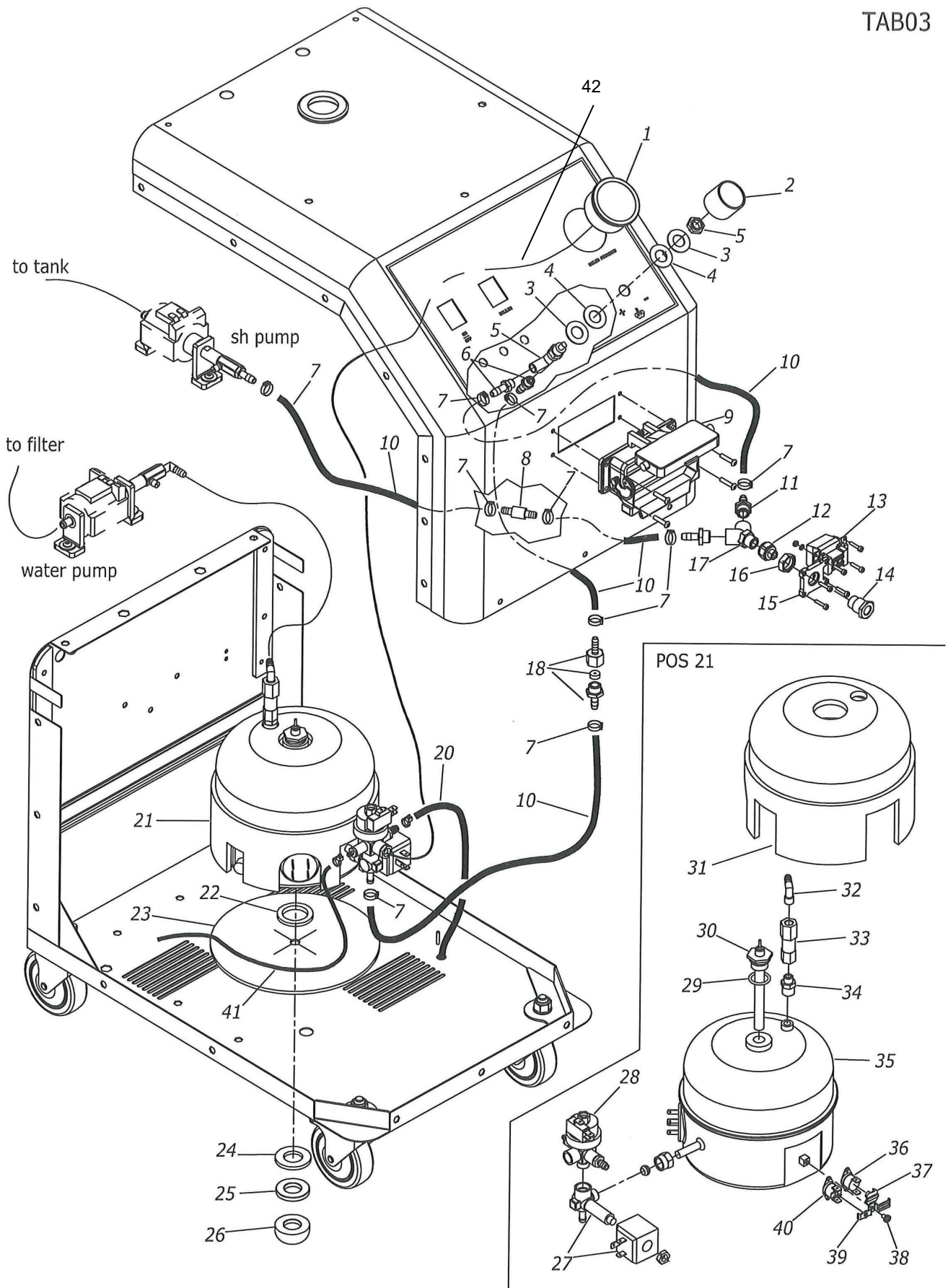


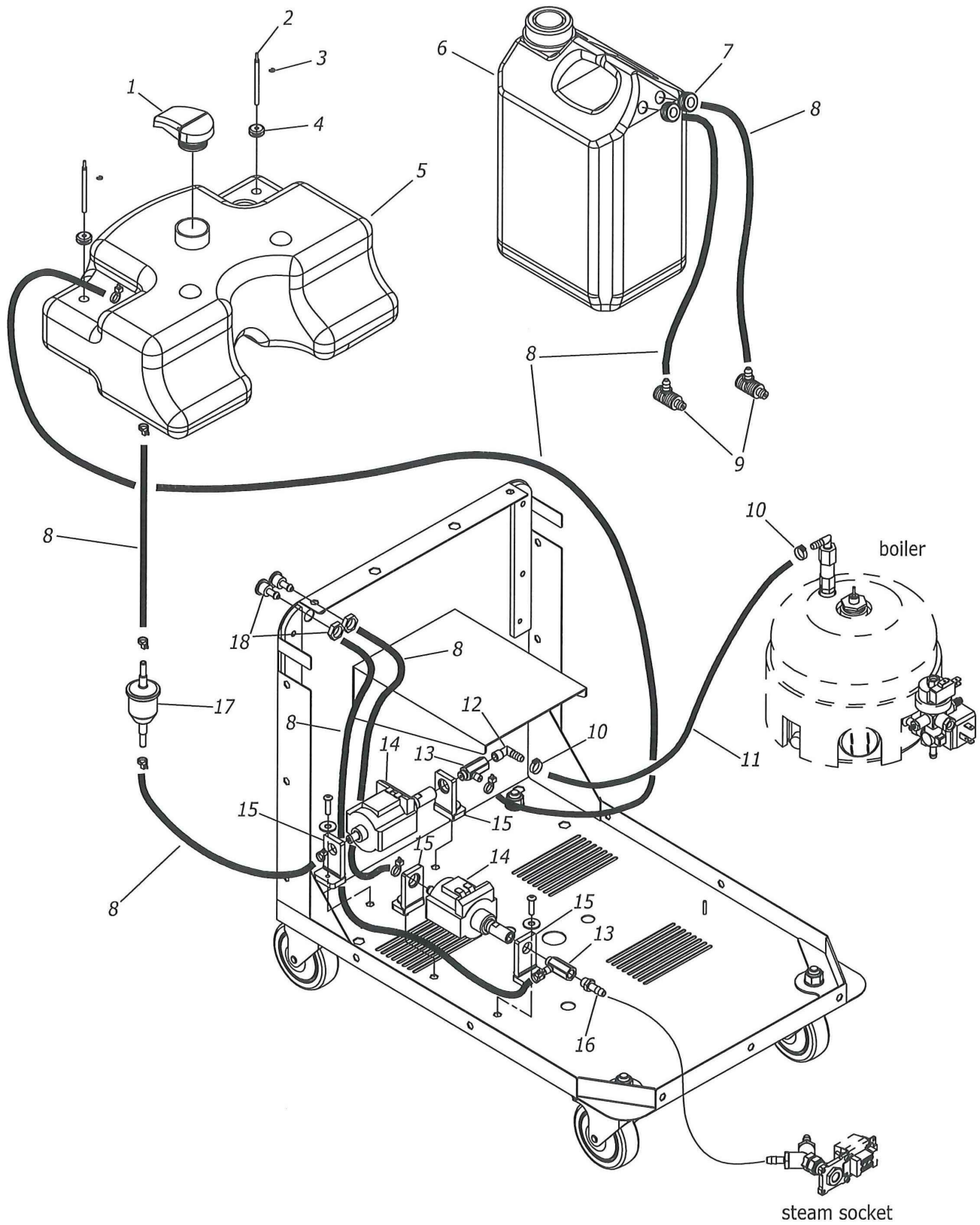
SF Eco 230v Spares

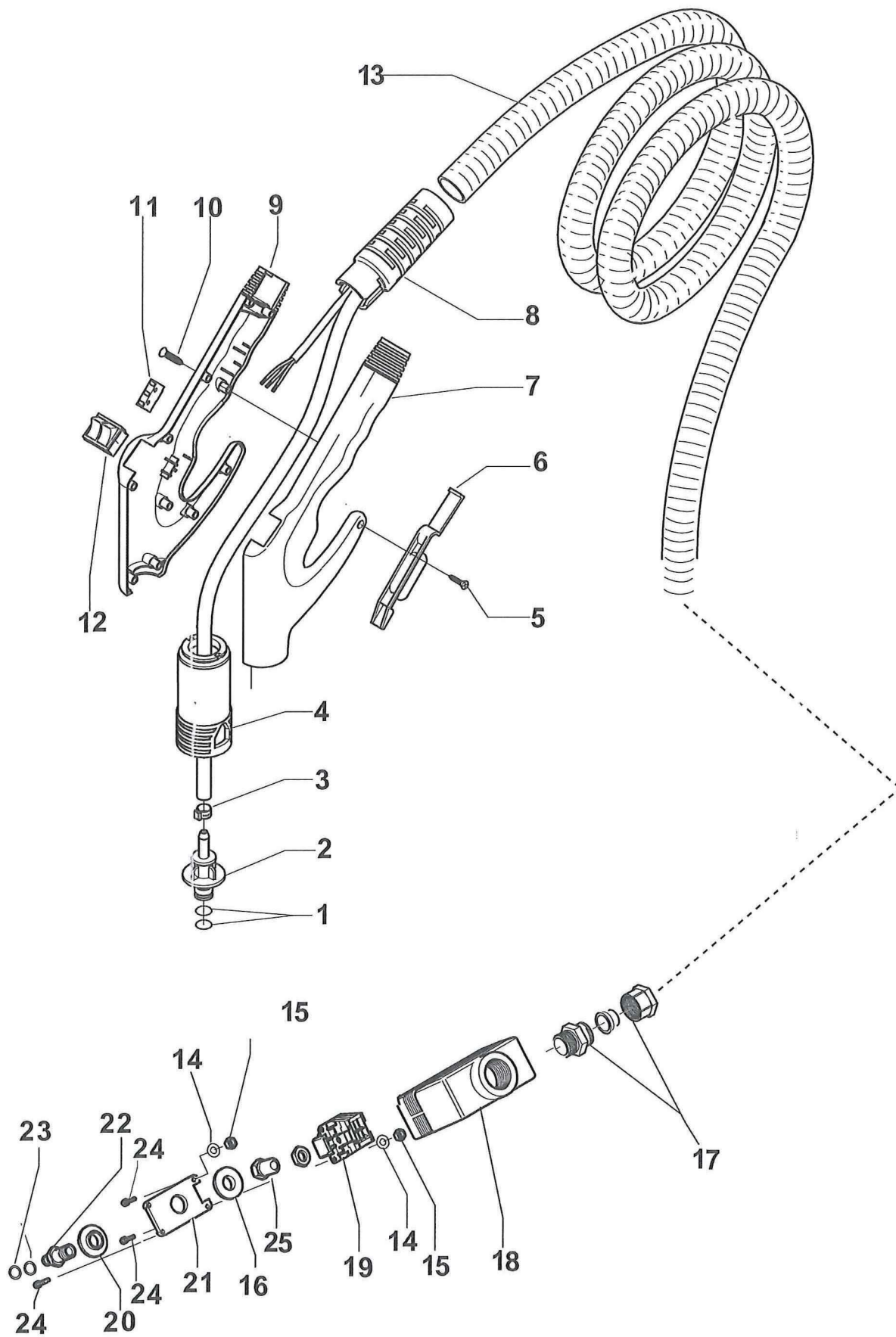












Page No	Item	Part Number	Supplier Code	Description	List Price
01	1	S02157	Q70751095	GREY BASKET	£28.78
01	2	S02158	Q70231013	HANDLE IND0311	£165.09
01	3	S02159	Q70491086	HANDSCREW 69854 VCT.32P-M6X30	£6.89
01	4	S02160	081534404	HANDLE OF COVER	£9.79
01	5	S02161	Q70221012	BASKET FOR TANK IND0311	£117.67
01	6	S02162	Q70221009	CAP IND0311	£296.24
01	7	S02163	Q05951030	LABEL "OSPREY FRANK"	£21.74
01	8	S02164	Q70221011	CARTER LEFT IND0311	£98.76
01	9	S02165	Q70221014	HOLDER FOR TANK IND0311	£53.49
01	10	S02166	000435478	NUT M10 SELF LOCKING 7473	£0.26
01	11	S02167	080424158	WASHER PLANE 6592 INOX M10	£0.12
01	12	S02168	Q70221008	BASE IND0311	£408.17
01	13	S02169	081534402	WHEEL TREKI D.80X23 C/BRAKE	£52.51
01	14	S02325	081534403	WHEEL TREKI D.80X23 NO BRAKE	£32.10
01	15	S02176	Q70221010	CARTER RIGHT IND0311	£98.76
01	16	S02177	GMM004	SILICON SEAL DE.55	£2.93
01	17	S02178	Q70691100	MOUSSE D.45X55X2	£2.43
02	1	S02327	Q70711024	WIRINGL.SF1 EUR	£102.29
02	2	S02180	011713568	POWER SWITCH	£8.06
02	3	S02181	Q70711099	SWITCH BIP. BLACK	£8.32
02	4	S02182	Q70710735	RED SC3 WITH NUT	£0.89
02	5	S02183	Q70710736	ORANGE SC3 WITH NUT	£0.89
02	6	S02184	Q70710737	GREEN SC3 WITH NUT	£0.89
02	7	S02185	Q70530760	CYLINDRIC SPACER	£0.82
02	8	S02186	070716768	ELECTRONIC CARD LED SEGN/COM.	£65.29
02	9	S02187	Q70430759	NUT LOCKING M3 INOX A2	£1.11
02	10	S02188	Q06710727	PLASTIC SUPPORT	£2.01
02	11	S02189	Q70590710	BOX	£30.94
02	12	S02190	Q91720544	ELECTRONIC BOARD 230V 2V6	£152.06
02	13	S02191	Q70710711	CABLE GLAND PG13,5	£2.82
02	14	S02192	002713163	POWER SUPPLY CABLE UK 3X1.5X4M BLK	£36.23
02	15	S02194	Q06950743	LABEL MM.20	£7.06
03	1	S02328	Q05751029	PRESSURE GAUGE 0-10 D.50 G 1/4	£30.79
03	2	S02196	Q70531202	STEAM KNOB ADJUSTMENT	£11.57
03	3	S02197	Q70421032	WASHER D.13-25 SP.0,8 MM.	£1.25
03	4	S02198	Q70461031	RUBBER WASHER INS. D.13-25 SP.1,5	£1.79
03	5	S02199	Q70491023	TAP "T" G1/8F-G1/8F	£24.91
03	6	S02200	000445016	HOSEFITTING COPPER 1/8 CONICO	£2.71
03	7	S02201	K0070	CLAMP INOX 12.3-706R	£1.14
03	8	S02202	000793350	AIR VALVE VNR	£16.74
03	9	S02203	Q70221125	HOUSING	£58.97
03	10	S02204	GMM041	HOSE SILICONE 5X10 (mt)	£7.04
03	11	S02205	080444589	FITTING 2601 7-1/4	£6.93
03	12	S02206	080444139	FITTING 2521 1/8-1/4 M/F	£2.55
03	13	S02207	080714062	SOCKET CNF 06 RY 6 POLI 180	£36.89
03	14	S02208	080444136	FITTING OT ES19X24MM FIL	£11.25
03	15	S02209	Q70321123	PLATE FOR ILME SOCKET	£18.12
03	16	S02210	080434053	NUT STEAM FITTING OT 19X6.5MM	£4.49
03	17	S02211	080444596	FITTING Y 2040 1/4 1/4 M/F/F	£9.46

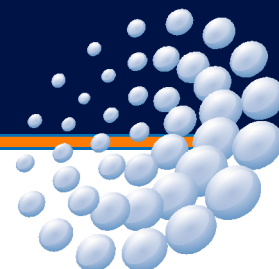
Prices correct as of 1st January 2018 but are subject to change at any time without prior notice

Page No	Item	Part Number	Supplier Code	Description	List Price
03	18	S02212	Q70101211	COMPLETE FEEDER	£32.60
03	20	S02242	080714226	SILICON TUBE 5X10	£5.57
03	21	S02341	Q70101105	BOILER IND0311 230V 3KW	£206.41
03	22	S02330	000425002	WASHER INS. 21,5X36X3	£1.54
03	23	S02331	000644423	INSULATION DISC D.195 HOLE D.10MM	£1.92
03	24	S02332	DM010431	THERMAL WASCHER NUT	£1.02
03	25	S02333	DM010432	NUT TIGHTENING BOILER	£4.07
03	26	S02334	016104809	PLUG SAFETY	£6.48
03	27	S02335	000713334	SOLENOID VALVE 230 1/4 GAS	£51.39
03	28	S02336	Q05741096	PRESSURE SWITCH XP110+A111 TAR.6UL/ENEC	£50.36
03	29	S02337	020613733	OR 123 VITON 17,86X2,62	£0.69
03	30	S02338	020103497	BOILER LEVEL PROBE GROUP	£40.52
03	31	S02339	020644020	INSULATION DPS/FV L.8	£14.56
03	32	S02340	ELV008/1	FITTING TUBE ADAPT. ELBOW 1/8 DIS. 257 D.INT.5	£3.44
03	33	S02227	Q05441091	AIR VALVE 6377	£26.23
03	34	S02228	080444130	FITTING 2510 1/8-1/4	£2.35
03	35	S02341	070106772	BOILER 230V 3000W MP R2EL	£206.41
03	36	S02342	070714473	THERMOSTAT CERAMIC 175øC +-8 (C.147ø)	£11.69
03	37	S02343	040512487	BRACKET FOR THERMOSTAT	£0.16
03	38	S02344	000415223	SCREW M4X6 TC+L ZB UNI 7687	£0.06
03	39	S02345	020223251	BRACKET FOR THERMOSTAT L7	£0.92
03	40	S02346	000715304	THERMOSTAT CERAMIC 232°C MAN	£13.90
03	41	S02234	GMM047	SILICON HOSE 3X7	£3.18
03	42	S02623	Q70491085	PRESSURE GAUGE CAPILLARY	£63.59
04	1	S02235	070534268	CAP TANK GRAY	£10.08
04	2	S02236	Q70221135	LEVEL PROBE 70 MM	£2.92
04	3	S02237	000455512	E CLIP D.2,3 UNI 7434-75 INOX	£0.21
04	4	S02238	070614484	CABLE GLAND RUBBER	£0.95
04	5	S02239	070534266	TANK	£23.53
04	6	S02240	081534555	WATER CONTAINER LT 5 TA80	£21.79
04	7	S02241	030713819	SILICON HOLDER D.10	£5.15
04	8	S02242	080714226	SILICON TUBE 5X10	£5.57
04	9	S02243	Q70541035	FITTING CONNECTION	£6.60
04	10	S02201	K0070	CLAMP INOX 12.3-706R	£1.14
04	11	S02204	GMM041	HOSE SILICONE 5X10 (mt)	£7.04
04	12	S02340	ELV008/1	FITTING TUBE ADAPT. ELBOW 1/8 DIS. 257 D.INT.5	£3.44
04	13	S02247	PIA604CN	RELIEF VALVE S22	£10.35
04	14	S02248	PIA602CN	WATER PUMP 230V/50HZ	£73.54
04	15	S02249	Q05610101	BRACKET 60 sh FOR PUMP	£0.72
04	16	S02200	000445016	HOSEFITTING COPPER 1/8 CONICO	£2.71
04	17	S02250	009533407	WATER FILTER	£2.71
04	18	S02251	Q70541022	FITTING	£6.00

Prices correct as of 1st January 2018 but are subject to change at any time without prior notice

Page No	Item	Part	Description	List Price
5	1	S02252	O RING	£0.43
5	2	S02316	STEAM CONNECTION	£1.22
5	3	S02201	CLAMP INOX 12.3-706R	£1.14
5	4	S02255	SHORT SLEEVE BLACK	£1.50
5	5/10	S02256	SCREW 3X20	£0.09
5	6	S02257	PUSH HANDLE	£0.79
5	7	S02258	RH HANDLE	£2.35
5	8	S02259	CASE PROTECTOR	£1.20
5	9	S02260	LH HANDLE	£2.35
5	11	S02261	MICROSWITCH	£7.04
5	12	S02262	SWITCH	£6.28
5	13	S02263	FLEXIBLE HOSE	£10.48
5	14	S02264	WASHER M3 INOX UNI1751	£0.07
5	15	S02265	NUT MED UNI 5588 INOX M3 A2	£0.04
5	16	S02266	TEFLON WASHER D.31X6 F.13,5	£8.46
5	17	S02267	ISOL. PG29	£9.45
5	18	S02268	PLUG	£70.78
5	19	S02269	SOCKET	£31.27
5	20	S02270	TEFLON WASHER D.50X23MM FIL (IMP)	£53.07
5	21	S02271	PLATE	£35.73
5	22	S02293	CONNECTION SPLUG STEAM	£7.96
5	23	S02273	ORING	£0.66
5	24	S02274	FITTING 3050 7-1/4	£3.14

Prices correct as of 1st January 2018 but are subject to change at any time without prior notice



The natural choice for intelligent cleaning

Offices

United Kingdom

41 Central Way
Cheltenham Trade Park
Cheltenham GL51 8LX
T: +44 (0) 1242 513 123
F: +44 (0) 1242 518 666
E: info@ospreydc.com
W: www.ospreydc.com

Germany

Frank GmbH
Zur Dornheck 15-17
D-35764 Sinn-Fleisbach
Germany
www.frank-hdr.de
www.ospreyfrank.de

France

BP 2001
Rue Charles de Gaulle
Zi La Marinière
91071 Bondoufle Cedex
T: +33 (0)169116541
F: +33 (0)169116558
E: info@ospreyfrance.fr
W: www.ospreyfrance.fr