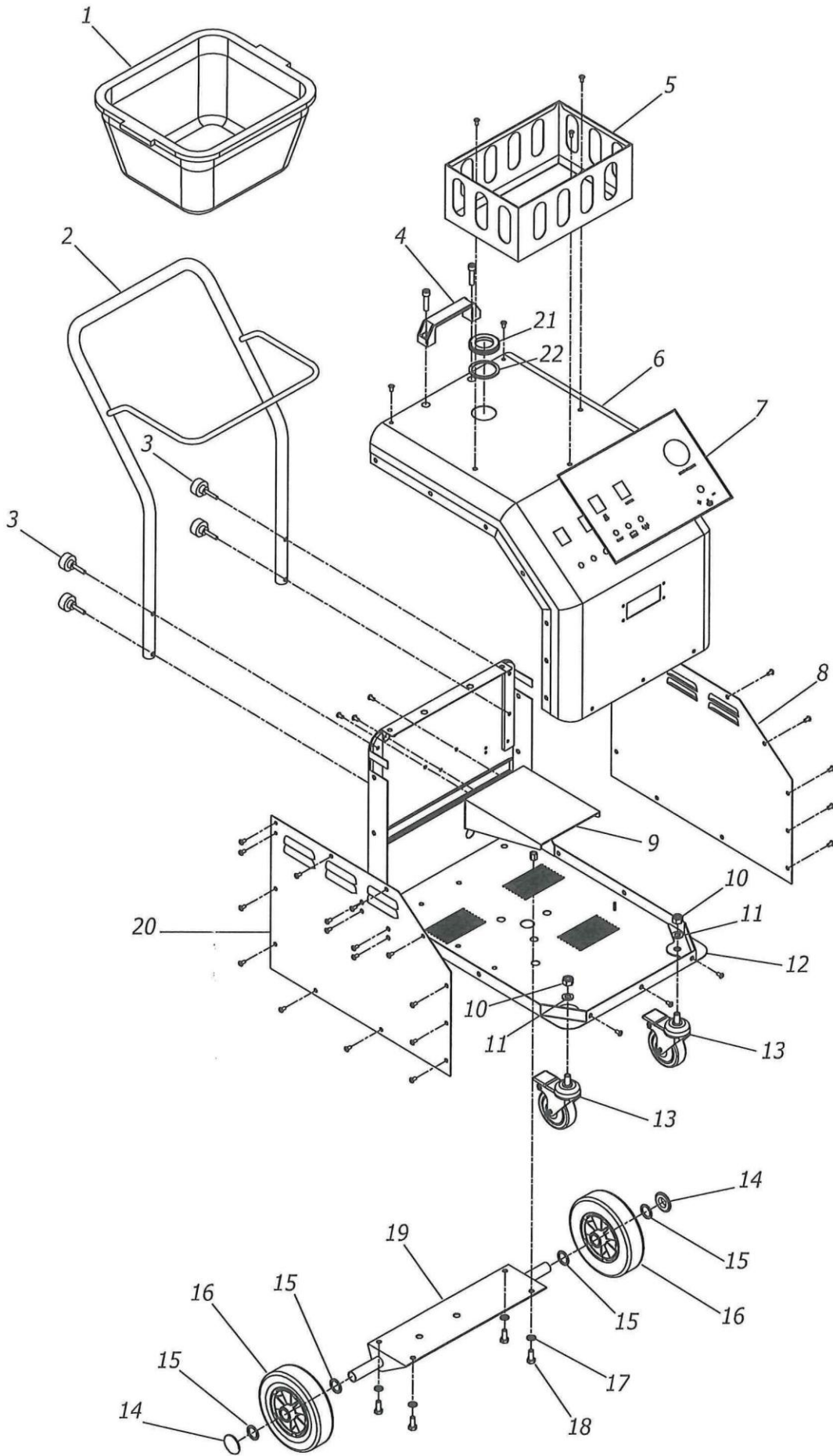
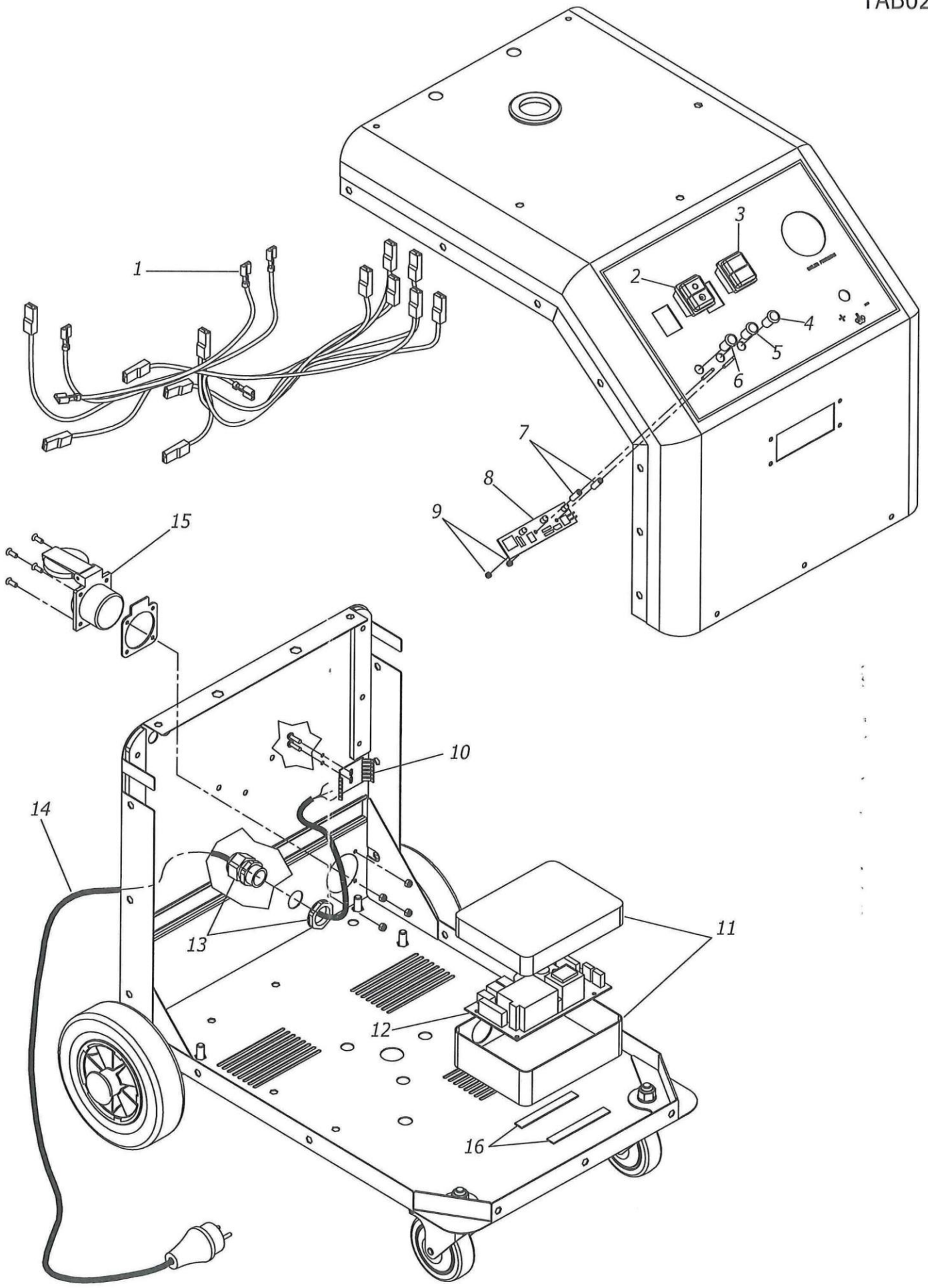
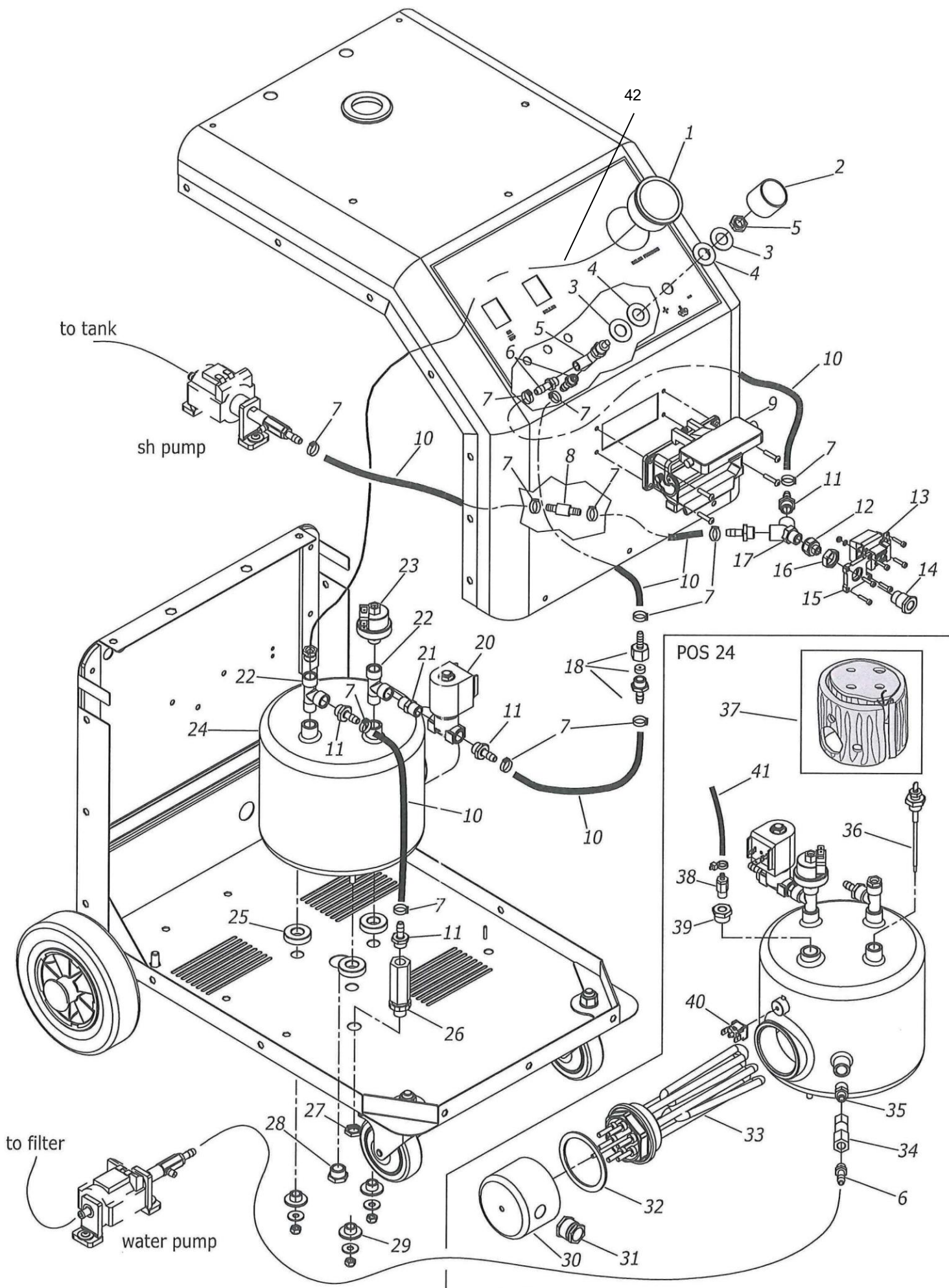


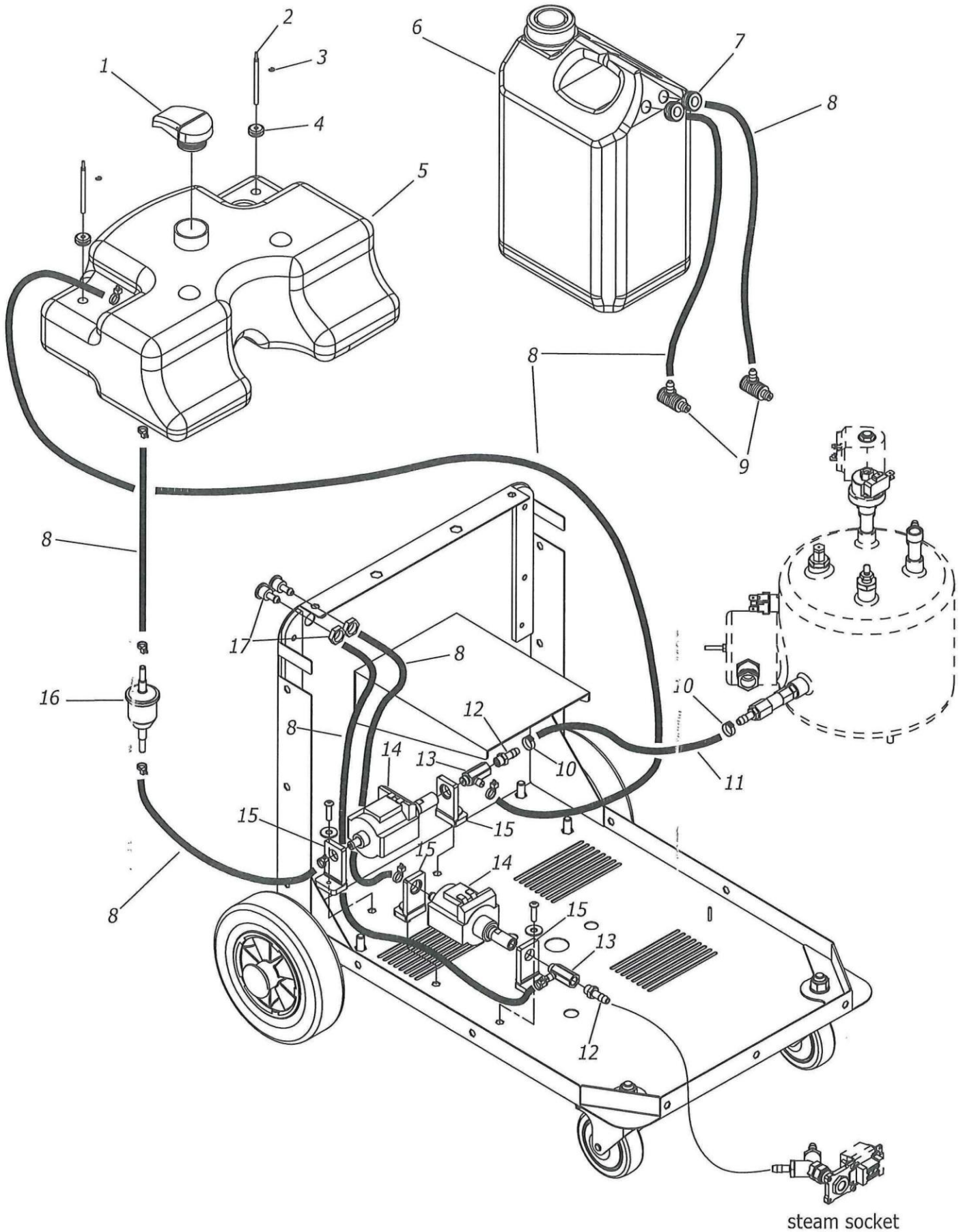
SF3 & SF3 Vac Spares 2019

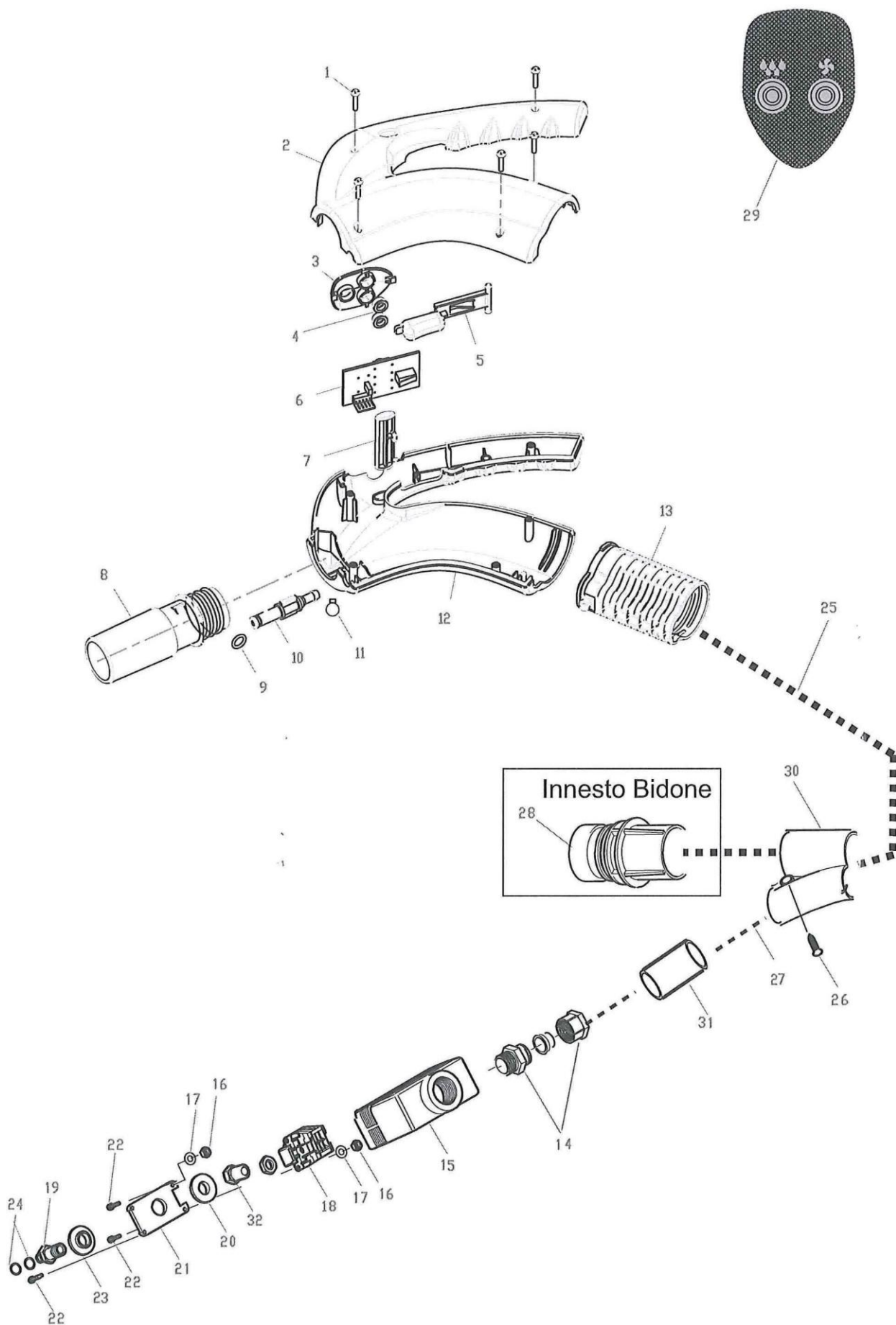


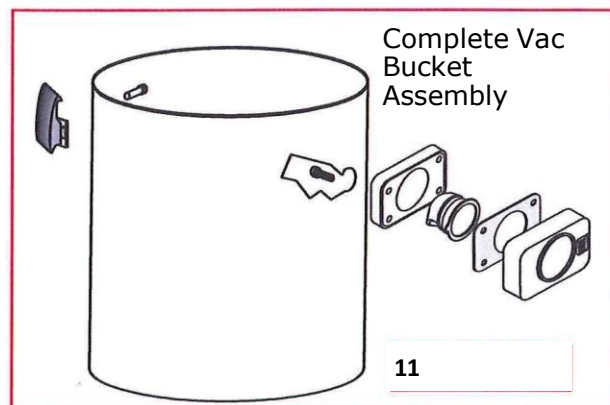
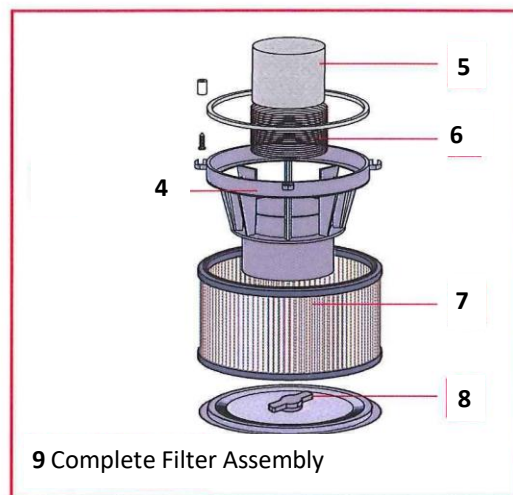
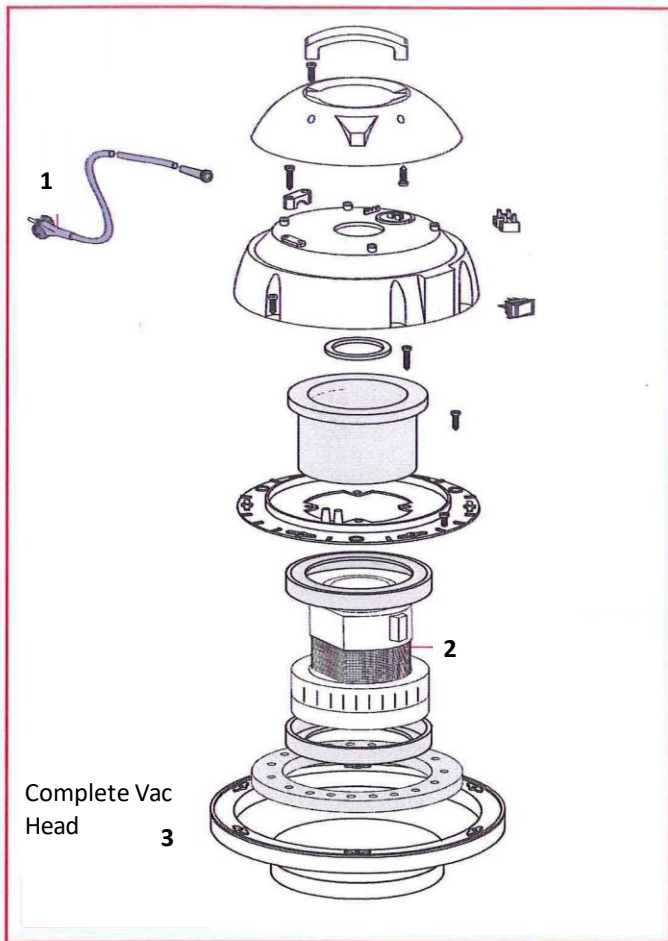












Page	Item	Part Number	Description	List Price
01	1	S02157	GREY BASKET	£
01	2	S02158	HANDLE	£
01	3	S02159	HANDSCREW 69854 VCT.32P-M6X30	£
01	4	S02160	HANDLE OF COVER	£
01	5	S02161	BASKET FOR TANK	£
01	6	S02162	COVER Q70221009	£
01	7	S02163	LABEL "OSPREY FRANK"	£
01	8	S02164	CARTER LEFT	£
01	9	S02165	HOLDER FOR TANK	£
01	10	S02166	NUT M10 SELF LOCKING 7473	£
01	11	S02167	WASHER PLANE 6592 INOX M10	£
01	12	S02168	BASE	£
01	13	S02169	WHEEL TREKI D.80X23 C/BREACK	£
01	14	S02170	STARLOCK CAPPED D.20 mm.	£
01	15	S02171	WASHER 20X28X1.5 PS ZINCATA	£
01	16	S02172	GREY WHEEL VPP 160/20G-SG	£
01	17	S02173	WASHER 6592 INOX M8	£
01	18	S02174	SCREW UNI 5739 TE INOX M8X20	£
01	19	S02175	AXLE WHEEL	£
01	20	S02176	CARTER RIGHT IND0311	£
01	21	S02177	SILICON SEAL DE.55	£
01	22	S02178	MOUSSE D.45X55X2	£
02	1	S02179	WIRINGL.SF3 EUR	£
02	2	S02180	POWER SWITCH	£
02	3	S02181	SWITCH BIP. BLACK	£
02	4	S02182	RED SC3 WITH NUT	£
02	5	S02183	ORANGE SC3 WITH NUT	£
02	6	S02184	GREEN SC3 WITH NUT	£
02	7	S02185	CYLINDRIC SPACER	£
02	8	S02186	ELECTRONIC CARD LED SEGN/COM.	£
02	9	S02187	NUT LOCKING M3 INOX A2	£
02	10	S02188	PLASTIC SUPPORT	£
02	11	S02189	BOX	£
02	12	S02190	ELECTRONIC BOARD 230V 2V6	£
02	13	S02191	CABLE GLAND PG13,5	£
02	14	S02192	POWER SUPPLY CABLE UK 3X1.5X4M BLK	£
02	15	S02193	POWER CORD	£
02	16	S02194	LABEL MM.20	£
03	1	S02195	PRESSURE GAUGE 0-12 D.50 G 1/4	£
03	2	S02196	STEAM KNOB ADJUSTMENT	£
03	3	S02197	WASHER D.13-25 SP.0,8 MM.	£
03	4	S02198	RUBBER WASHER INS. D.13-25 SP.1,5	£
03	5	S02199	TAP "T" G1/8F-G1/8F	£
03	6	S02200	HOSEFITTING COPPER 1/8 CONICO	£
03	7	S02201	CLAMP INOX 12.3-706R	£
03	8	S02202	AIR VALVE VNR	£
03	9	S02203	HOUSING	£
03	10	S02204	HOSE SILICONE 5X10 (mt)	£

Prices correct as of 1st January 2018 but are subject to change at any time without prior notice

Page	Item	Part Number	Description	List Price
03	11	S02205	FITTING 2601 7-1/4	£
03	12	S02206	FITTING 2521 1/8-1/4 M/F	£
03	13	S02207	SOCKET CNF 06 RY 6 POLI 180	£
03	14	S02208	FITTING OT ES19X24MM FIL	£
03	15	S02209	PLATE FOR ILME SOCKET	£
03	16	S02210	NUT STEAM FITTING OT 19X6.5MM	£
03	17	S02211	FITTING Y 2040 1/4 1/4 M/F/F	£
03	18	S02212	COMPLETE FEEDER	£
03	20	S02213	SOLENOID VALVE8301/3A 220/230V DN 2,8	£
03	21	S02214	FITTING 2500 1/4	£
03	22	S02215	FITTING T 2070 1/4 1/4 M/F/F	£
03	23	S02216	PRESSURE SWITCH XP111 8 BAR 1/4 G	£
03	24	S02217	BOILER IND0311 230V 3KW	£
03	25	S02218	WASHER TEFLON BLACK SPES.BOILER D,14X30X8	£
03	26	S02219	PRESSION VALVE 551 12BAR	£
03	27	S02220	NUT 1253 1/4 LOW PROFILE	£
03	28	S02221	FITTING 3/8 WITH OR	£
03	29	S02222	TEFLON WASHER	£
03	30	S02223	CARTER HEATING ELEMENTS	£
03	31	S02224	BRASS CABLE GLAND 1/2	£
03	32	S02225	ELEMENT GASKET (SF3/6) 71.5x59x2	£
03	33	S02226	ELEMENT SF3 FL2 3000W230/400V	£
03	34	S02227	AIR VALVE 6377	£
03	35	S02228	FITTING 2510 1/8-1/4	£
03	36	S02229	LEVEL PROBE TL10/8 L=54MM	£
03	37	S02230	INSULATION FOR BOILER 3,6LT/TMA5	£
03	38	S02231	AIR VALVE VAP 1/8"C PG D=6	£
03	39	S02232	FITTING 2531 3/8 1/8	£
03	40	S02233	THERMOSTAT 230□ +-15 RM	£
03	41	S02234	SILICON HOSE 3X7	£
03	42	S02623	PRESSURE GAUGE CAPPILLARY	£
04	1	S02235	CAP TANK GRAY	£
04	2	S02236	LEVEL PROBE 70 MM	£
04	3	S02237	E CLIP D.2,3 UNI 7434-75 INOX	£
04	4	S02238	CABLE GLAND RUBBER	£
04	5	S02239	TANK	£
04	6	S02240	WATER CONTAINER LT 5 TA80	£
04	7	S02241	SILICON HOLDER D.10	£
04	8	S02242	SILICON TUBE 5X10	£
04	9	S02243	FITTING CONNECTION	£
04	10	S02201	CLAMP INOX 12.3-706R	£
04	11	S02204	HOSE SILICONE 5X10 (mt)	£
04	12	S02200	HOSEFITTING COPPER 1/8 CONICO	£
04	13	S02247	RELIEF VALVE S22	£
04	14	S02248	WATER PUMP 230V/50HZ	£
04	15	S02249	BRACKET 60 sh FOR PUMP	£
04	16	S02250	WATER FILTER	£
04	17	S02251	FITTING	£
5	1	S02252	OR RING	£

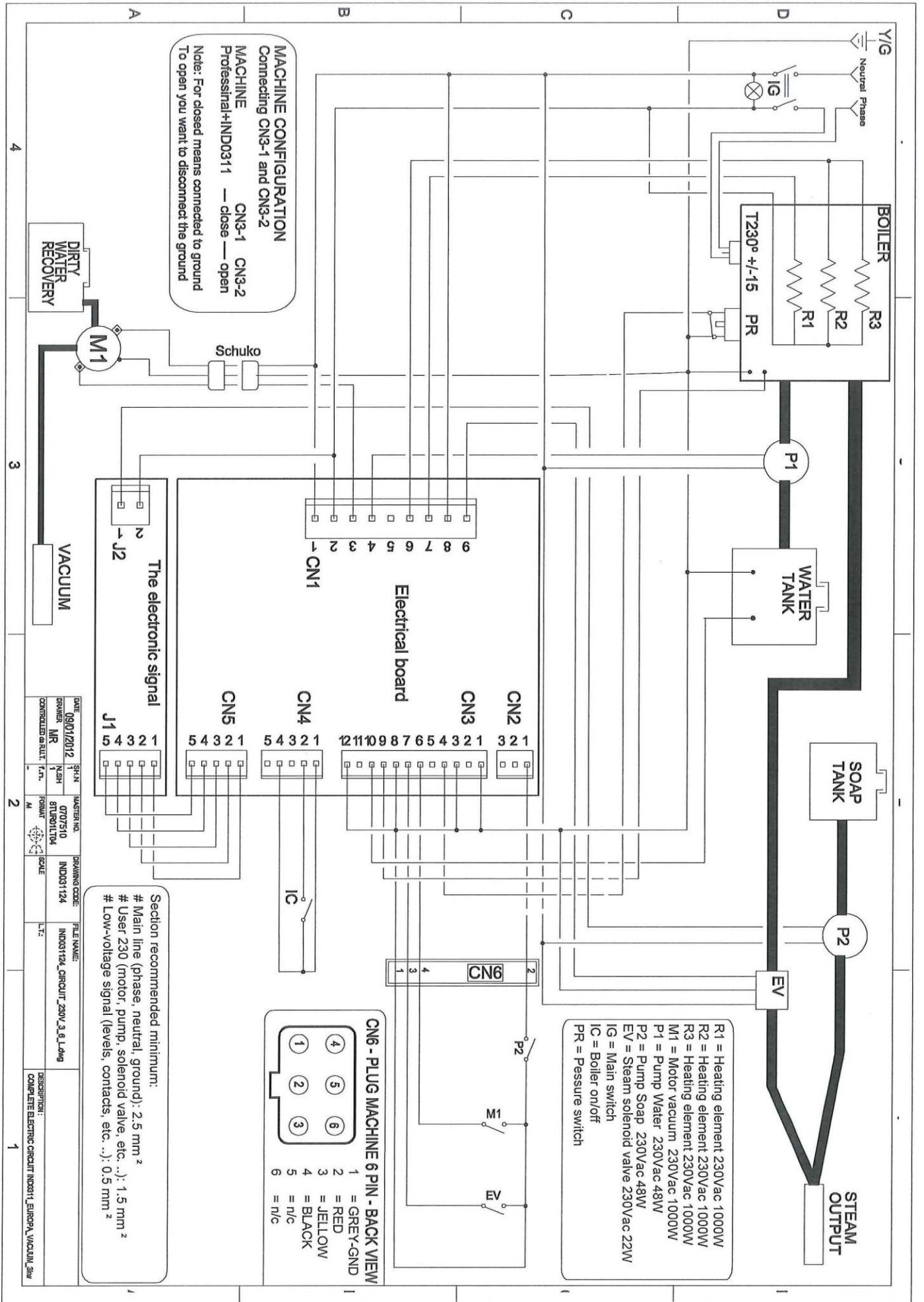
Prices correct as of 1st January 2018 but are subject to change at any time without prior no-

Page	Item	Part Number	Description	List Price
5	2	S02316	STEAM CONNECTION	£
5	3	S02201	CLAMP INOX 12.3-706R	£
5	4	S02255	SHORT SLEEVE BLACK	£
5	5/10	S02256	SCREW 3X20	£
5	6	S02257	PUSH HANDLE	£
5	7	S02258	RH HANDLE	£
5	8	S02259	CASE PROTECTOR	£
5	9	S02260	LH HANDLE	£
5	11	S02261	MICROSWITCH	£
5	12	S02262	SWITCH	£
5	13	S02263	FLEXIBLE HOSE	£
5	14	S02264	WASHER M3 INOX UNI1751	£
5	15	S02265	NUT MED UNI 5588 INOX M3 A2	£
5	16	S02266	TEFLON WASHER D.31X6 F.13,5	£
5	17	S02267	ISOL. PG29	£
5	18	S02268	PLUG	£
5	19	S02269	SOCKET	£
5	20	S02270	TEFLON WASHER D.50X23MM FIL (IMP)	£
5	21	S02271	PLATE	£
5	22	S02272	CONNECTION PLUG STEAM	£
5	23	S02273	ORING	£
5	24	S02306	FITTING 3050 7-1/4	£
6	1	S02275	SCREW 2.9 x 16	£
6	2	S02276	HOLDER LH	£
6	3	S02277	SWITCHBOARD 3 BOARD	£
6	4	S02278	BUTTON EXTENSION	£
6	5	S02279	STEAM BUTTON	£
6	6	S02280	CONTROLS BOARD	£
6	7	S02281	SAFE STEAM	£
6	8	S02282	PIPE HANDLE	£
6	9	S02283	O RING 5.28X1,78	£
6	10	S02284	STEAM CONNECTIONS PA66 30%	£
6	11	S02285	METAL CLAMP	£
6	12	S02286	HOLDER RH	£
6	13	S02287	FLEXIBLE GASKET PROTECTOR	£
6	14	S02288	ISOL. PG29	£
6	15	S02289	PLUG	£
6	16	S02290	NUT MED UNI 5588 INOX M3 A2	£
6	17	S02291	WASHER M3 INOX UNI1751	£
6	18	S02269	SOCKET	£
6	19	S02293	CONNECTION SPLUG STEAM	£
6	20	S02294	TEFLON WASHER D.31X6 F.13,5	£
6	21	S02271	PLATE	£
6	22	S02296	SCREW UNI 5931 INOX TCEI M3X16	£
6	23	S02297	TEFLON WASHER D.50X23MM FIL (IMP)	£
6	24	S02273	ORING	£
6	25	S02299	BLACK SLEEVE	£
6	26	S02300	SCREW 3,5X13	£

Prices correct as of 1st January 2018 but are subject to change at any time without prior notice

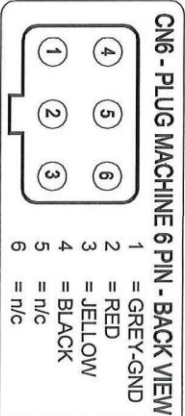
Page	Item	Part Number	Description	List Price
6	27	S02301	BLACK PVC PIPE D.16	£
6	28	S02302	BLACK SLEEVE F.38/32 D.32	£
6	29	S02303	LABEL	£
6	30	S02304	MALE/FEMALE HOLDER	£
6	31	S02305	TUBE 20x23x100 EPDM	£
6	32	S02306	FITTING 3050 7-1/4	£
7	1	S02579	POWER SUPPLY CABLE 2x1 MT.1.3	£
7	2	S02572	MOTOR	£
7	3	S02580	VAC HEAD ASSEMBLY	£
7	4	S02573	HOLDER FOR FLOAT	£
7	5	S02575	FLOAT	£
7	6	S02574	FILTER	£
7	7	S02576	FILTER	£
7	8	S02577	FILTER FOR HOLDER	£
7	9	S02581	COMPLETE FILTER ASSEMBLY	£
7	10	S02578	HOLDER FOR FILTER	£
7	11	S02582	VAC BUCKET ASSEMBLY	£
		S01237	VACUUM BRACKET	£
		S01242	FIXING KIT FOR VACUUM BRACKET	£

Prices correct as of 1st January 2018 but are subject to change at any time without prior notice



MACHINE CONFIGURATION
 Connecting CN3-1 and CN3-2
MACHINE
 Professional+IND0311 — close — open
 Note: For closed means connected to ground
 To open you want to disconnect the ground

- R1 = Heating element 230Vac 1000W
- R2 = Heating element 230Vac 1000W
- R3 = Heating element 230Vac 1000W
- M1 = Motor vacuum 230Vac 1000W
- P1 = Pump Water 230Vac 48W
- P2 = Pump Soap 230Vac 48W
- EV = Steam solenoid valve 230Vac 22W
- IG = Boiler on/off
- PR = Pressure switch

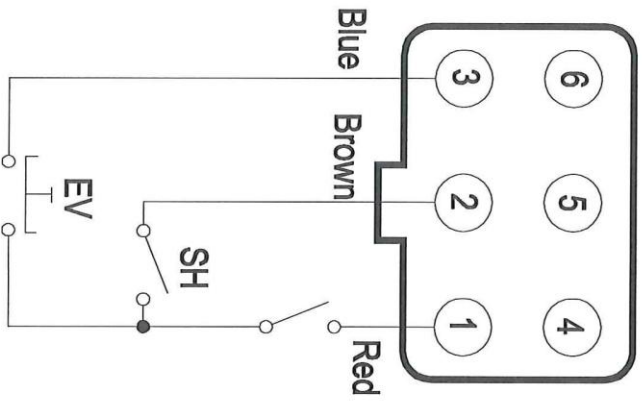


Section recommended minimum:
 # Main line (phase, neutral, ground): 2.5 mm²
 # User 230 (motor, pump, solenoid valve, etc. -): 1.5 mm²
 # Low-voltage signal (levels, contacts, etc. -): 0.5 mm²

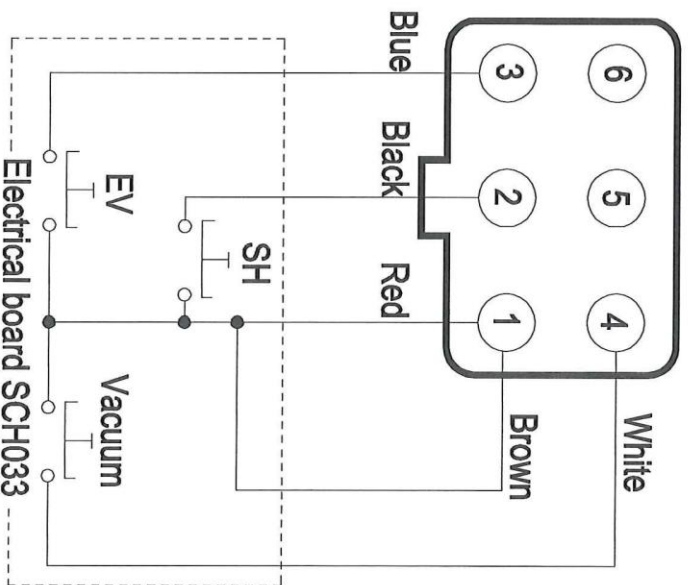
DATE	09/01/2012	SH.N	MASTERING	DRAWING CODE	IND031124	FILE NAME	IND031124_CIRCUIT_230V_3_0_LDMG	DESCRIPTION	COMPLETE ELECTRIC CIRCUIT IND0311_EUROPA_VACUUM_30W
DRAWER	MR	N.SH	GTURB/TM4	FORMAT	M	SCALE	L.T.		
CONTROLLED BY	RU.T.								

SCHEMI COLLEGAMENTI FLEX PER MACCHINE OSPREY IND0311
FRUTTO SPINA CNEM 06RY 6 POLI cod:080714063
VISTO DAL LATO INSERIMENTO CAVI data 09-01-2012

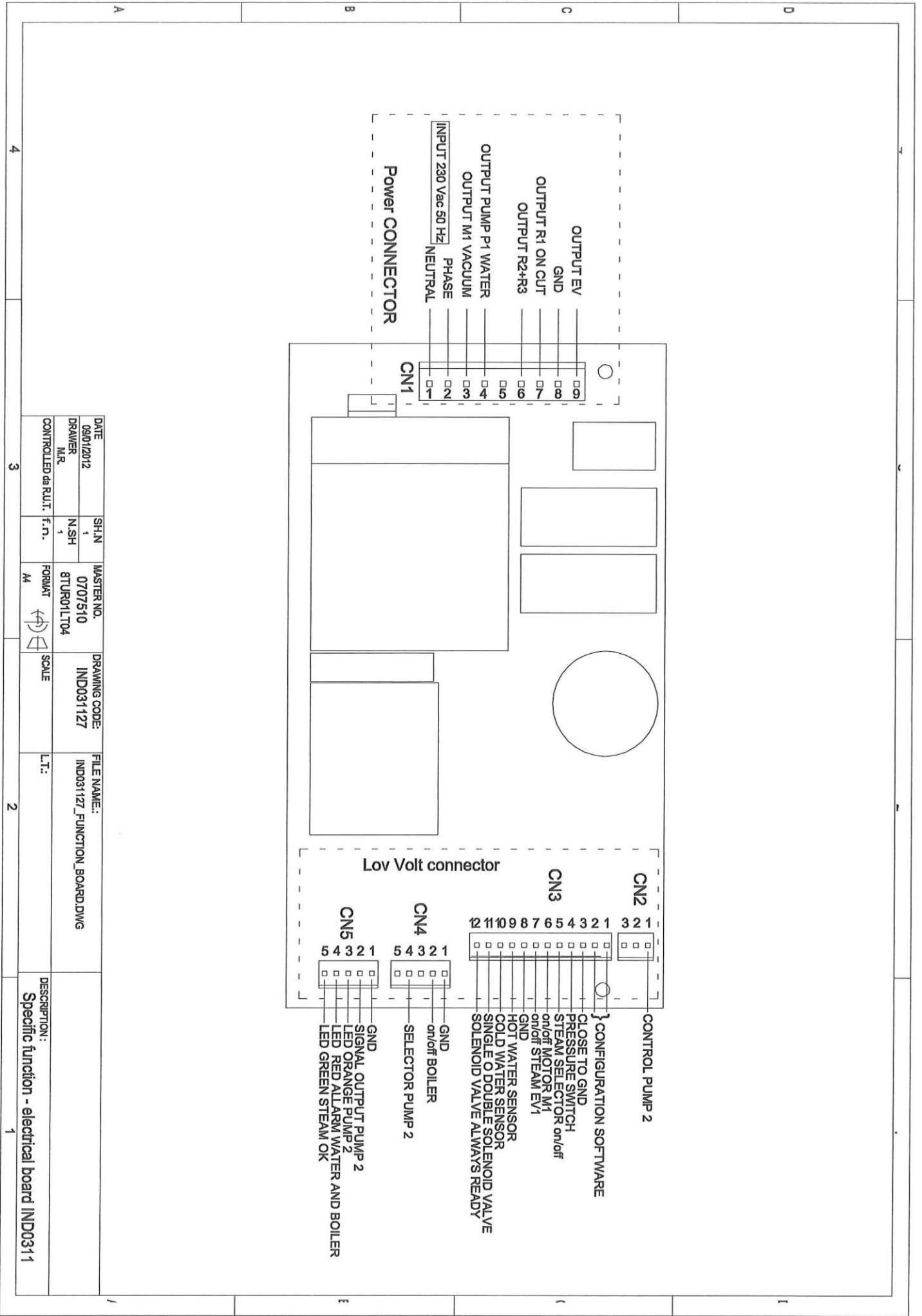
SF-1/230/1500*2
 SF-1/120/1700*1
 SF6/400/1833*3



SF3/230/1000*3
 Vacuum



DATE	09/01/2012	SHIN	MASTER NO.	DRAWING CODE	FILE NAME	DESCRIPTION
DESIGNER	MR	NSH	FORMA	IND031128	IND031128_CIRCUIT_FLEX.dwg	CIRCUIT FLEX IND0311
CONTROLLED BY	TELT	TELT	M	SCALE	L.T.	



DATE	09/01/2012	SH.N	1	MASTER NO.	0707510	DRAWING CODE:	IND031127	FILE NAME:	IND031127_FUNCTION_BOARD.DWG
DRAWER	M.R	N.SH	1	FORMAT	8TUR01L.T04	SCALE		L.T.:	
CONTROLLED de R.U.T.		f.n.	1	MA					

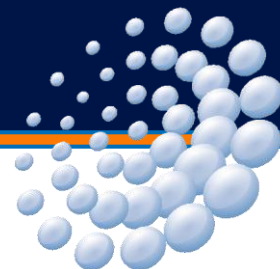
DESCRIPTION:
Specific function - electrical board IND0311

4

3

2

1



The natural choice for intelligent cleaning



United Kingdom
41 Central Way
Cheltenham Trade Park
Cheltenham GL51 8LX
T: +44 (0) 1242 513 123
F: +44 (0) 1242 518 666
E: info@ospreydc.com
W: www.ospreydc.com